

Removable element Woltman cold (hot) water meter

LXLC(R)-350~600 mm

This type of water meter can be used for a remote reading transmission system as equipped with a built-in sensor.

Applications

Measuring the volume of cold (hot) water passing through the pipeline.

Features

- ✓ Removable element structure, easy installation and maintenance.
- ✓ Register for universal use within this range – detachable without removing the meter from the pipeline.
- ✓ Dry-dial, magnetic drive with sensitive action and small pressure loss.
- ✓ Vacuum-sealed register keeps the dial free from fog and ensures clear readings over long-term service.
- ✓ Selected high-quality materials for steady and reliable performance.
- ✓ Technical data conforms to international standard ISO 4064.

Working conditions

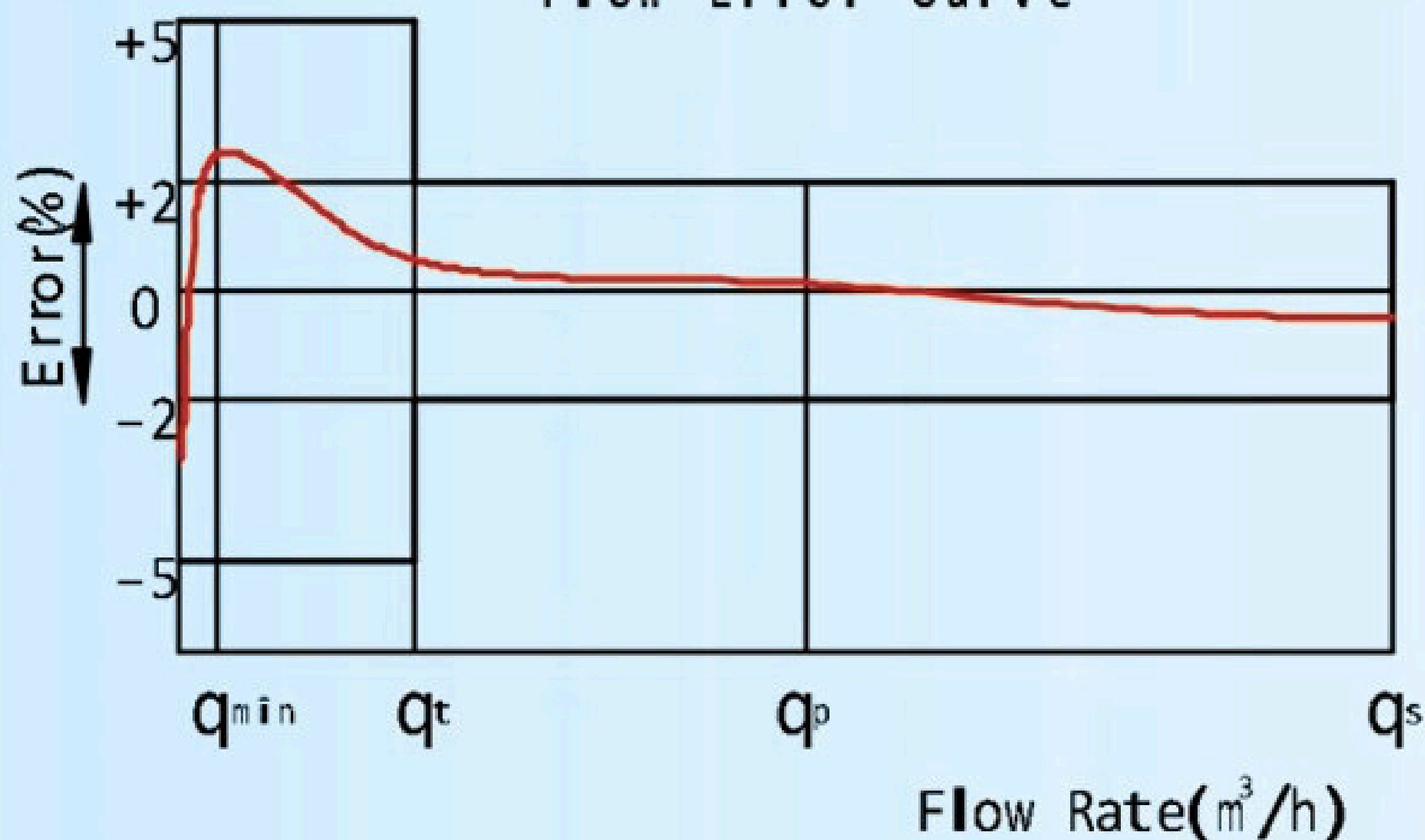
- ✓ Water temperature: 0.1 °C ~ 50 °C for cold water, 0.1°C~90°C for hot water.
- ✓ Water pressure: ≤ 1.0 MPa or 1.6 MPa.
- ✓ Pressure-loss class: Δp_{25} .

Working conditions

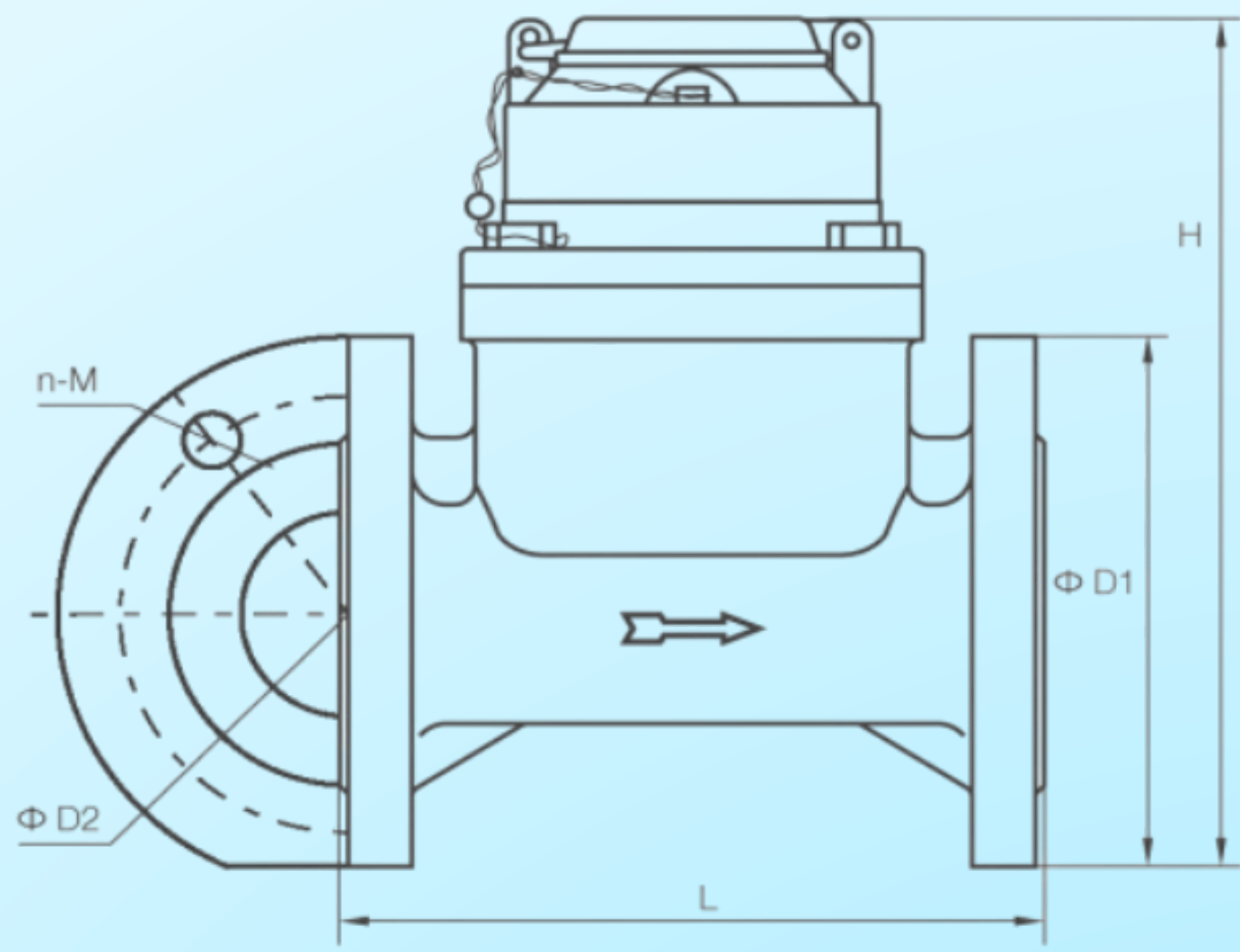
- ✓ From minimum flow-rate (Q1) inclusive to transitional flow-rate (Q2) exclusive: ±5%.
- ✓ From minimum flow-rate (Q1) inclusive to transitional flow-rate (Q2) exclusive: ±5%.
- ✓ From transitional flow-rate (Q2) to overload flow-rate (Q4): ±2% (Hot water meter: ±3%).



Flow Error Curve



Dimensions & Flow Technical Specification



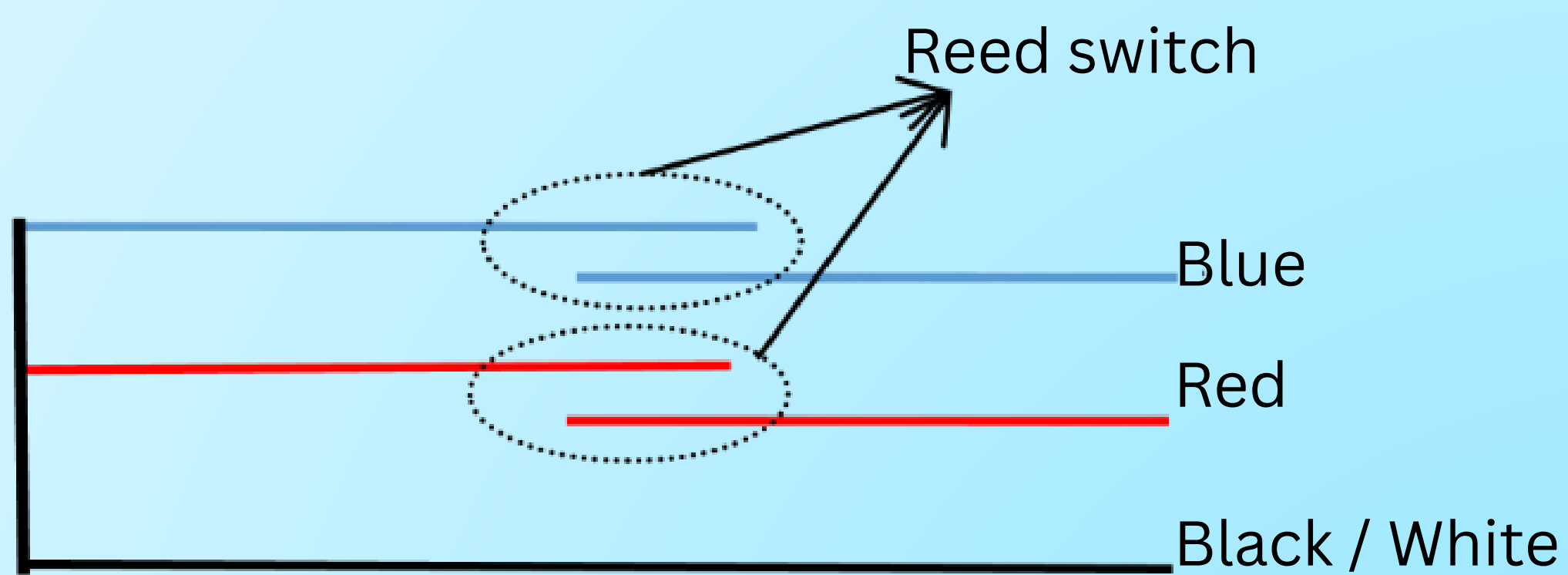
Type	Size	L Length	H Height	Connecting flange			
				φD1 Outside diameter	φD2 Bolt circle diameter	Connecting Bolts(n-M)	Working pressure (MPa)
LXLC-350	350	500	590	505	460	16-M20	1
				520	470	16-M24	1.6
LXLC-400	400	600	660	565	515	16-M24	1
				580	525	16-M27	1.6
LXLC-450	450	600	700	615	565	20-M24	1
				640	585	20-M27	1.6
LXLC-500	500	800	760	670	620	20-M24	1
				715	650	20-M30	1.6
LXLC-600	600	500	880	780	725	20-M27	1
				840	770	20-M33	1.6

Size	Class	R= Q3/Q1	Q4 Overload Flow	Q3 Permanent Flow	Q2 Transitional Flow	Q1 Mi. Flow	Min. Reading	Max. Reading
DN			M ³ / h					
350	B	50	1750	1400	44.8	28	0.2	999,999,999
		80						
400	B	50	2000	1600	51.2	32	0.2	999,999,999
		80						
450	B	50	2000	1600	51.2	32	0.2	999,999,999
		80						
500	B	50	3125	2500	80	50	0.2	999,999,999
		80						
600	B	50	5000	4000	128	80	0.2	999,999,999
		80						

Dimensions & Flow Technical Specification

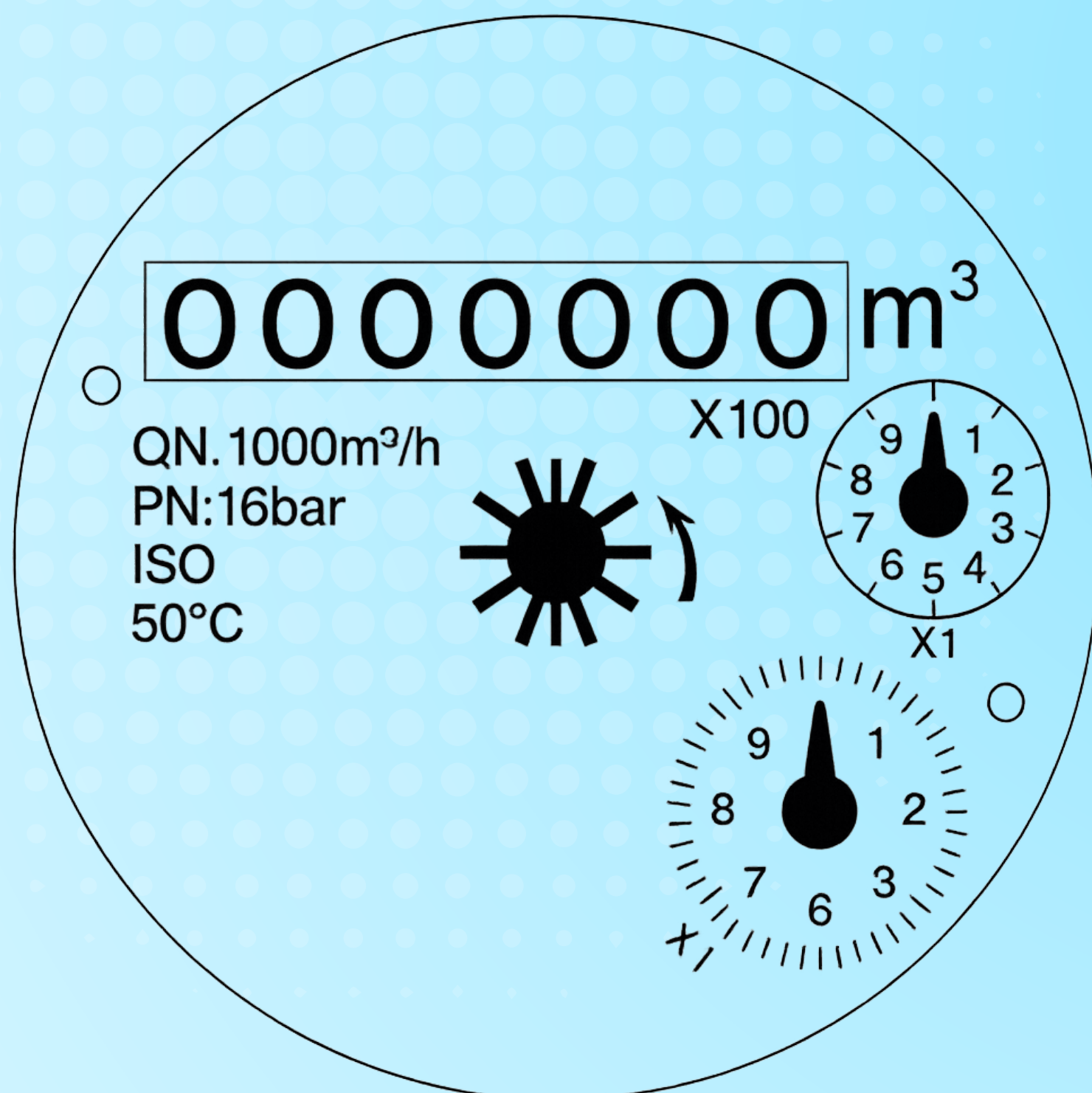
Pluse Position

Size	Pause Position
DN350-600	10000L/Pulse
DN350-600	100000L/Pulse



Dials

Common Plastic Register



Installation

Pipe	Horizontal
Meter head	Upwards

"All meters will be guaranteed against defects in workmanship and materials for a period of one (1) year from the date of acceptance.

Defected meters or parts discovered within this period shall be replaced without charge upon return to us."





Thank You

 More Information
www.johntekvalve.com

 Our Email Address
info@johnlekvalve.com