

# DOUBLE ECCENTRIC BUTTERFLY VALVE

DOUBLE ECCENTRIC BUTTERFLY VALVE EN558-I SERIES 13, 14 Double eccentric butterfly valve is a shut-off bidirectional valve with a double offset of the disc. The disc seal ring is completely unstressed when the valve is in open position.

- ✓ disc seat with high quality rubber, regains original shape.
- ✓ 100% sealing – self-adjusting elastomer seat attached to disc and retaining ring.
- ✓ bi-directional flow sealing with 1.1 x PN.
- ✓ SS retaining ring fastened with A2-70 screws and extra dowel pins.
- ✓ reduced sensitivity for cavitation.
- ✓ less contact area of disc seal when closing, and less stress during the opening disc.
- ✓ Complete tightness – self-adjusting elastomer seat attached to the disc and the retaining ring.



## Standards

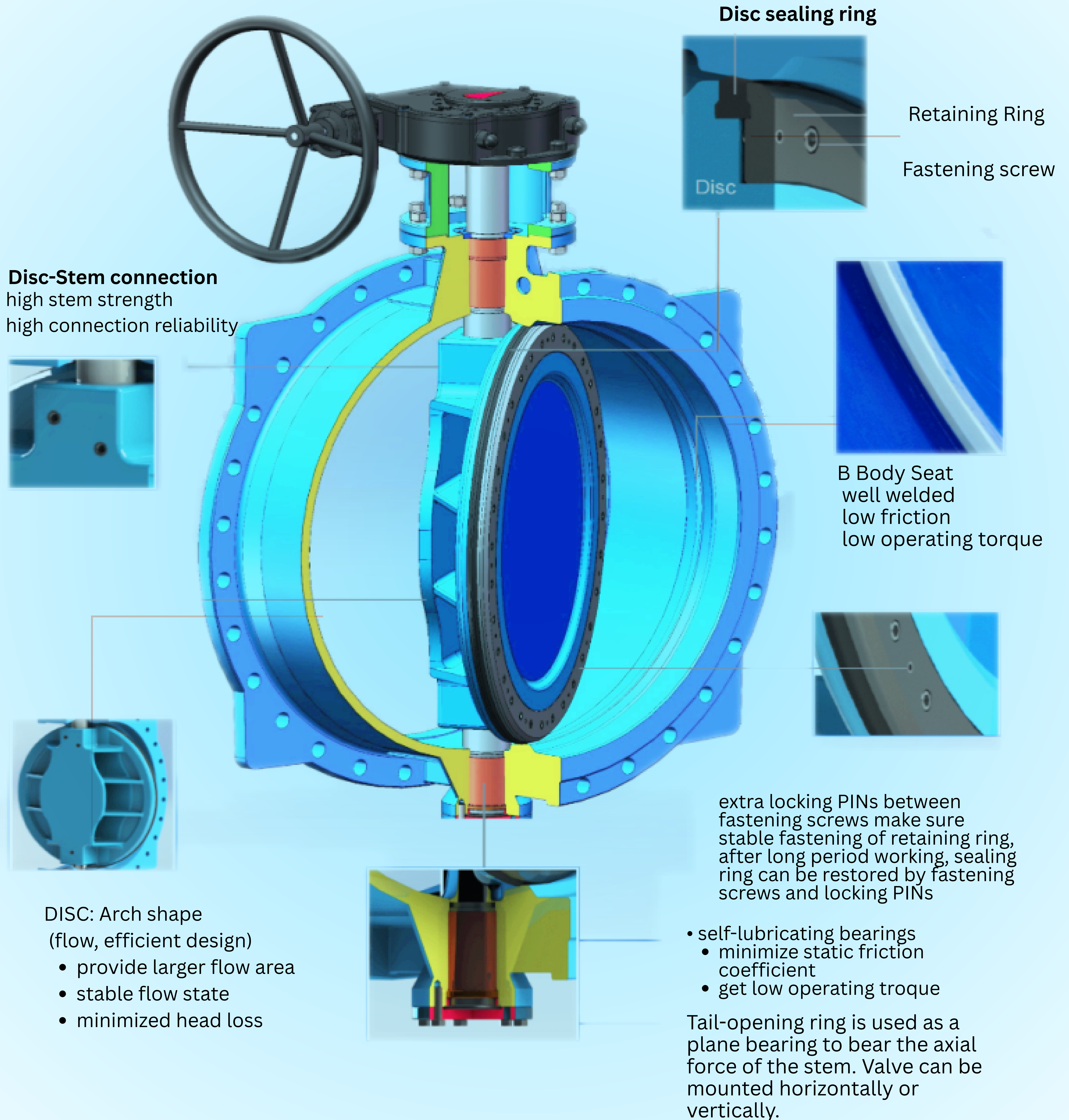
- ✓ 100% tested to EN 12266-1
- ✓ Confirm to EN593 resilient seated
- ✓ Flanges to EN-1092/2, BS4504
- ✓ EPDM disc seat ring to EN 681-1
- ✓ Face to face: EN558-1, series 13/14



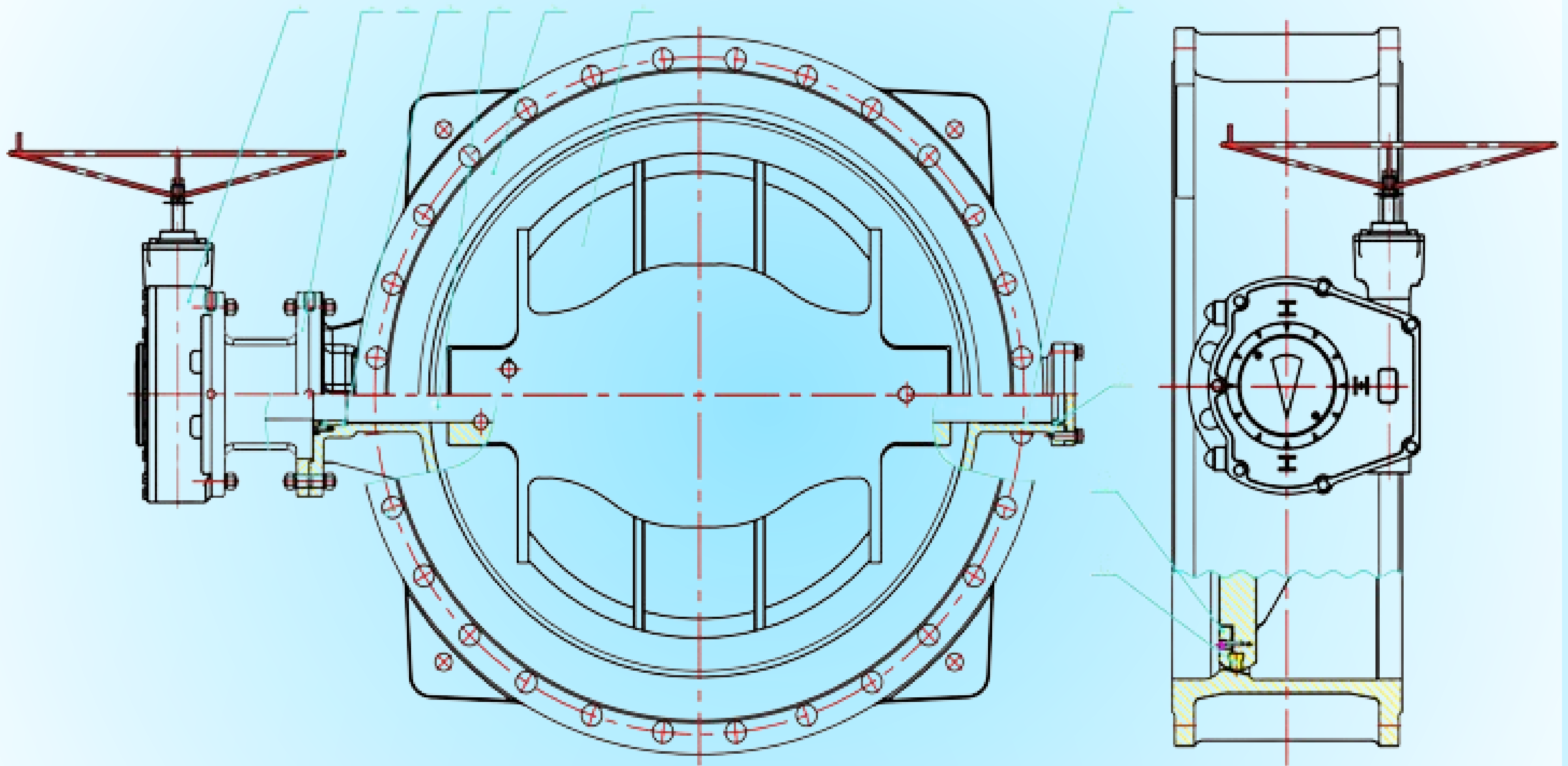
## Applications

- ✓ water and neutral liquid pipe system
- ✓ water distribution/transmission system
- ✓ cooling water system
- ✓ industrial waste water
- ✓ filtering system

# DOUBLE ECCENTRIC BUTTERFLY VALVE

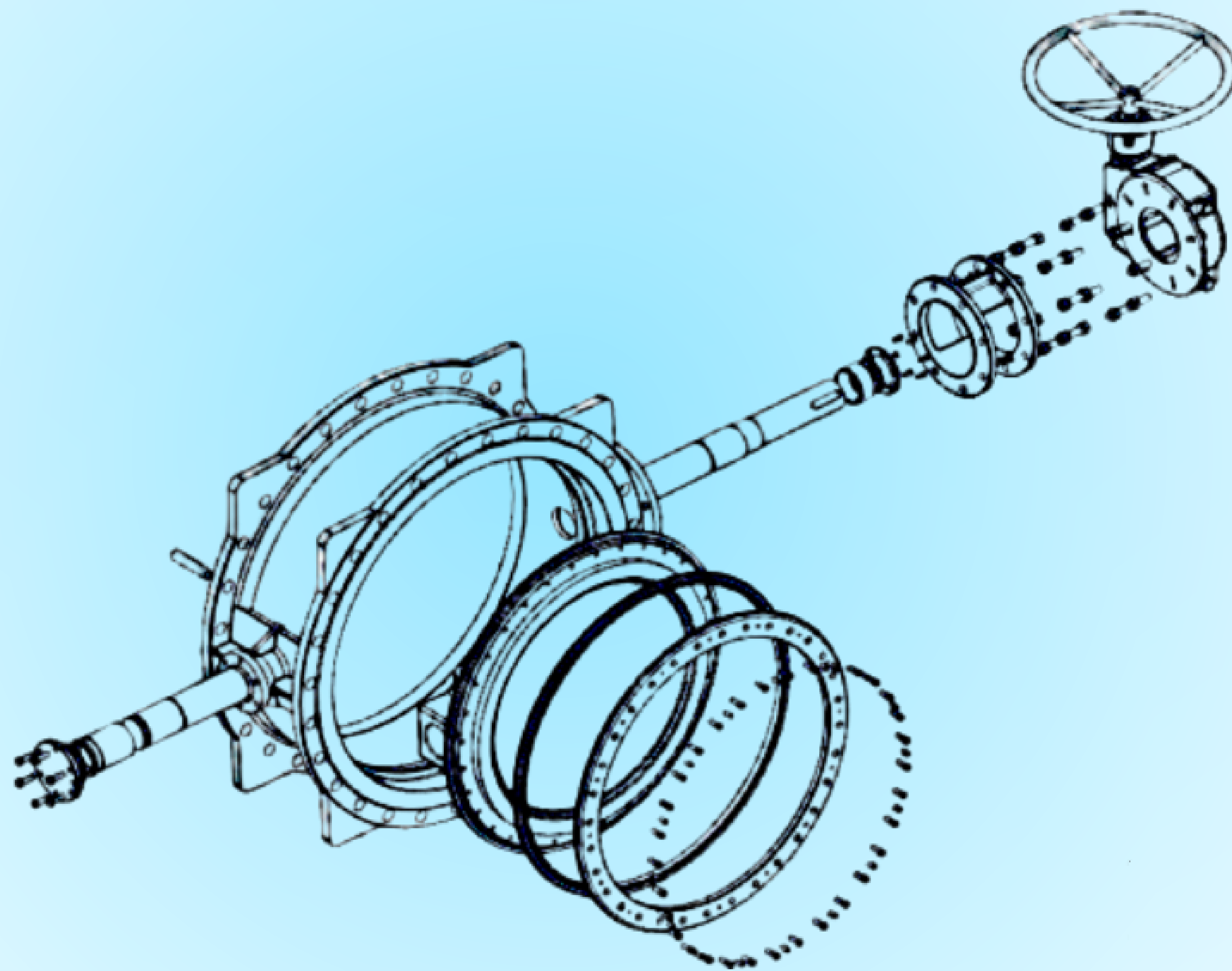
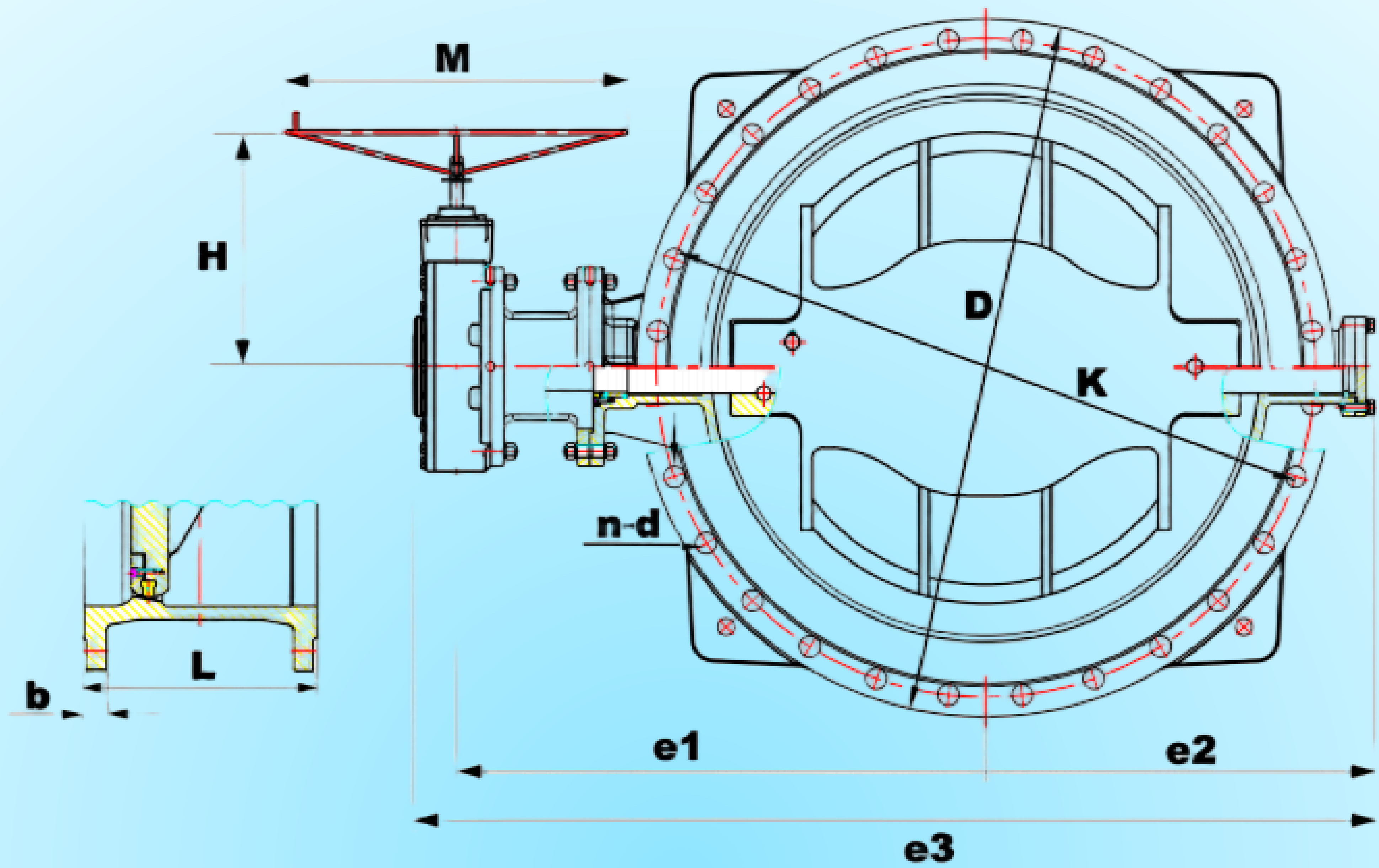


# DOUBLE ECCENTRIC BUTTERFLY VALVE



No.	Component	Standard Material
1	Manual gearbox	assembly set
2	Neck flange	ductile cast iron GJS 500-7
3	Sealing sleeve	CuZn39Pb1 Brass
4	X Ring	NBR
5	Stem	stainless steel AISI 304/316/420
6	Body	ductile cast iron GJS 500-7
7	Disc	ductile cast iron GJS 500-7
8	Bearing	stainless steel SF-I S
9	Split snap ring	ZCuZn25A16Fe6Mn6
10	Sealing ring plate	stainless steel
11	Disc seat ring	EPDM

# DOUBLE ECCENTRIC BUTTERFLY VALVE



# DOUBLE ECCENTRIC BUTTERFLY VALVE

Nominal Diameter	PN 10									
	DN	L	H	e1	e2	e3	M	D	K	b
DN200	230	225	314	174	524	300	340	295	20	8*23
DN250	250	275	354	200	603	400	405	350	22	12*23
DN300	270	275	388	258	695	500	445	400	24.5	12*23
DN350	290	305	446	292	790	500	505	460	24.5	16*23
DN400	310	304	522	331	910	600	565	515	24.5	16*28
DN450	330	305	535	365	953	600	615	565	25.5	20*22
DN500	350	305	566	405	1028	600	670	620	26.5	20*28
DN600	390	382	662	468	1195	500	780	725	30	20*31
DN700	430	382	627	520	1212	500	895	840	32.5	24*31
DN800	470	403	680	583	1338	600	1015	950	35	24*34
DN900	510	435	725	635	1435	600	1115	1050	37.5	28*34
DN1000	550	570	826	695	1620	600	1230	1160	40	28*37
DN1200	630	600	972	820	1910	700	1455	1380	45	32*40
DN1400	710	620	1140	928	2140	700	1675	1590	46	36*43
DN1600	790	665	1270	1050	2410	700	1915	1820	49	40*49
DN1800	870	720	1410	1175	2680	700	2130	2020	70	44*49

Nominal Diameter	PN 16									
	DN	L	H	e1	e2	e3	M	D	K	b
DN200	230	225	314	174	524	300	340	295	20	12*23
DN250	250	275	354	200	603	400	405	355	22	12*28
DN300	270	275	388	258	695	500	460	410	24.5	12*28
DN350	290	305	446	292	790	500	520	470	25.5	16*28
DN400	310	304	522	331	910	600	580	525	28	16*31
DN450	330	305	535	365	953	600	640	585	30	20*31
DN500	350	305	566	405	1028	600	715	650	31.5	20*34
DN600	390	382	662	468	1195	500	840	770	36	20*37
DN700	430	382	627	520	1212	500	910	840	39.5	24*37
DN800	470	403	680	583	1338	600	1025	950	43	24*40
DN900	510	435	725	635	1435	600	1125	1050	46.5	28*40
DN1000	550	570	826	695	1620	600	1255	1170	50	28*43
DN1200	630	600	972	820	1910	700	1485	1390	57	32*49
DN1400	710	620	1140	928	2140	700	1685	1590	60	36*49
DN1600	790	665	1270	1050	2410	700	1930	1820	65	40*56
DN1800	870	720	1410	1175	2680	700	2130	2020	70	44*56



**Thank You**

 More Information  
[www.johntekvalve.com](http://www.johntekvalve.com)

 Our Email Address  
[info@johnlekvalve.com](mailto:info@johnlekvalve.com)