

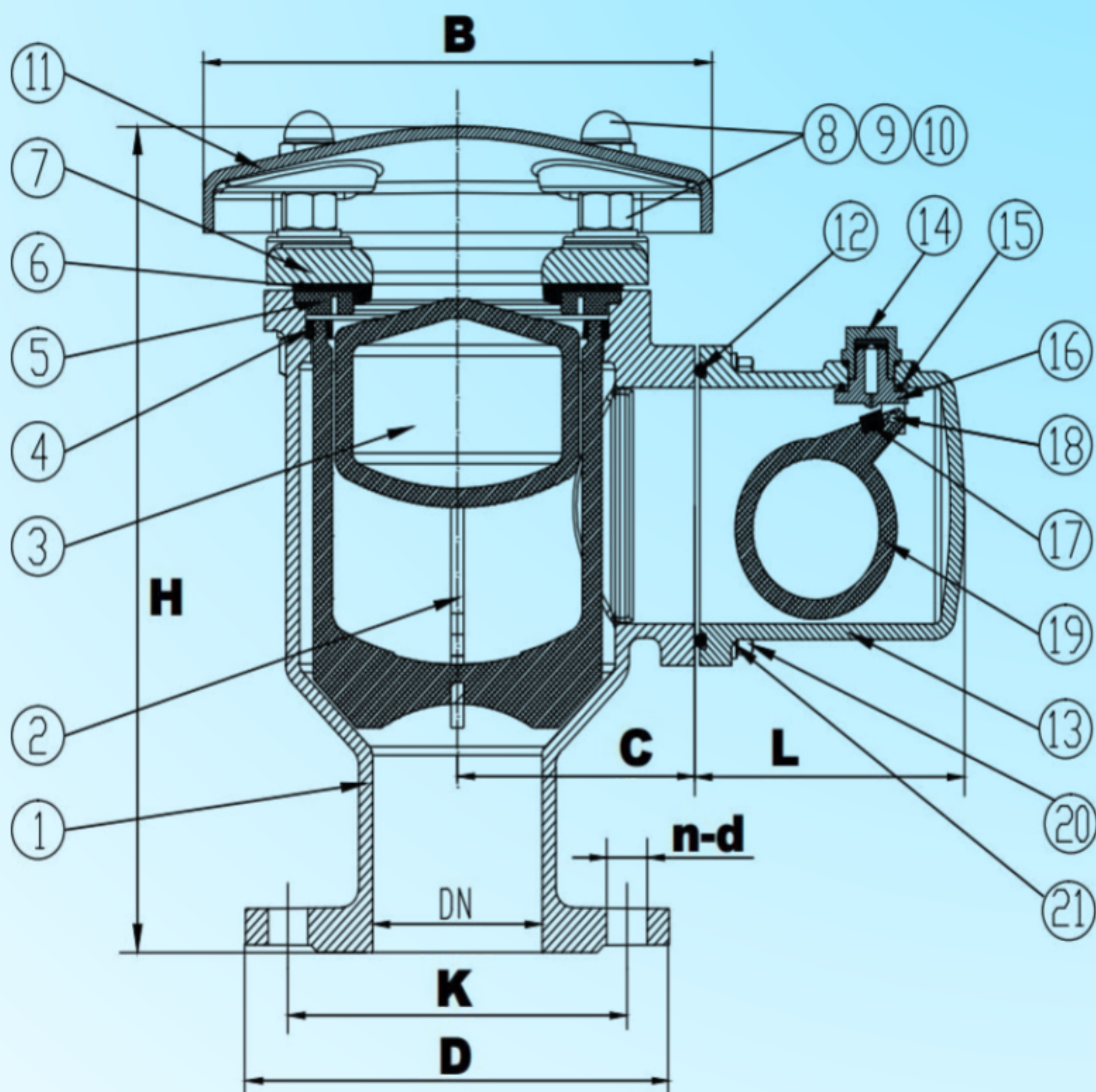
AIR RELEASE VALVE DOUBLE ORIFICE- TRIPLE FUNCTION

Standards

- ✓ Hydrostatic tests according to EN-12266-1, class A.
- ✓ Designed to EN-1074/4 and AWWA C-512
- ✓ Flanges to EN-1092/2, BS4504, or ANSI-150

Applications

- ✓ to discharge a large air flow from a water pipeline
- ✓ to admit a large air flow into a water pipeline
- ✓ purge entrapped air from pipeline under pressure



No.	Component	Standard Material
21	Washer	AISI304 STAINLESS STEEL
20	Hexagon Bolt	AISI304 STAINLESS STEEL
19	Side Float	ABS
18	Hinge Pin	AISI304 STAINLESS STEEL
17	Seat	EPDM
16	Bracket	BRASS
15	O Ring	NBR
14	Cap	BRASS
13	Side Body	Ductile Iron GJS500-7
12	o Ring	NBR
11	Cowl	Ductile Iron GJS500-7
10	Hexagon Bolt	AISI304 STAINLESS STEEL
9	Nut	AISI304 STAINLESS STEEL
8	Washer	AISI304 STAINLESS STEEL
7	Cover	Ductile Iron GJS500-7
6	Seat Support	ABS
5	Seat Ring	EPDM
4	Support	ABS
3	Float	ABS
2	Float Guide	ABS
1	Body	Ductile Iron GJS500-7

DESIGN FEATURES

Nominal Diameter	PN10/16							
	DN	L	B	C	H	D	K	n*d
*DN40	125	165	88	270	165	110	4*19	19
DN50	125	165	88	270	165	125	4*19	19
DN65	125	165	88	300	185	145	4*19	19
DN80	125	240	112	355	200	160	8*19	19
DN100	125	270	128	430	220	180	8*19	19
*DN125	125	280	128	430	285	210	8*19	19
DN150	125	315	158	480	285	240	8*23	19

Nominal Diameter	PN25							
	DN	L	B	C	H	D	K	n*d
*DN40	125	165	88	270	165	110	4*19	19
DN50	125	165	88	270	165	125	4*19	19
DN65	125	165	88	300	185	145	8*19	19
DN80	125	240	112	355	200	160	8*19	19
DN100	125	270	128	430	235	190	8*23	19
*DN125	125	280	128	430	300	220	8*28	20
DN150	125	315	158	480	300	250	8*28	20



Thank You

 More Information
www.johntekvalve.com

 Our Email Address
info@johnlekvalve.com