

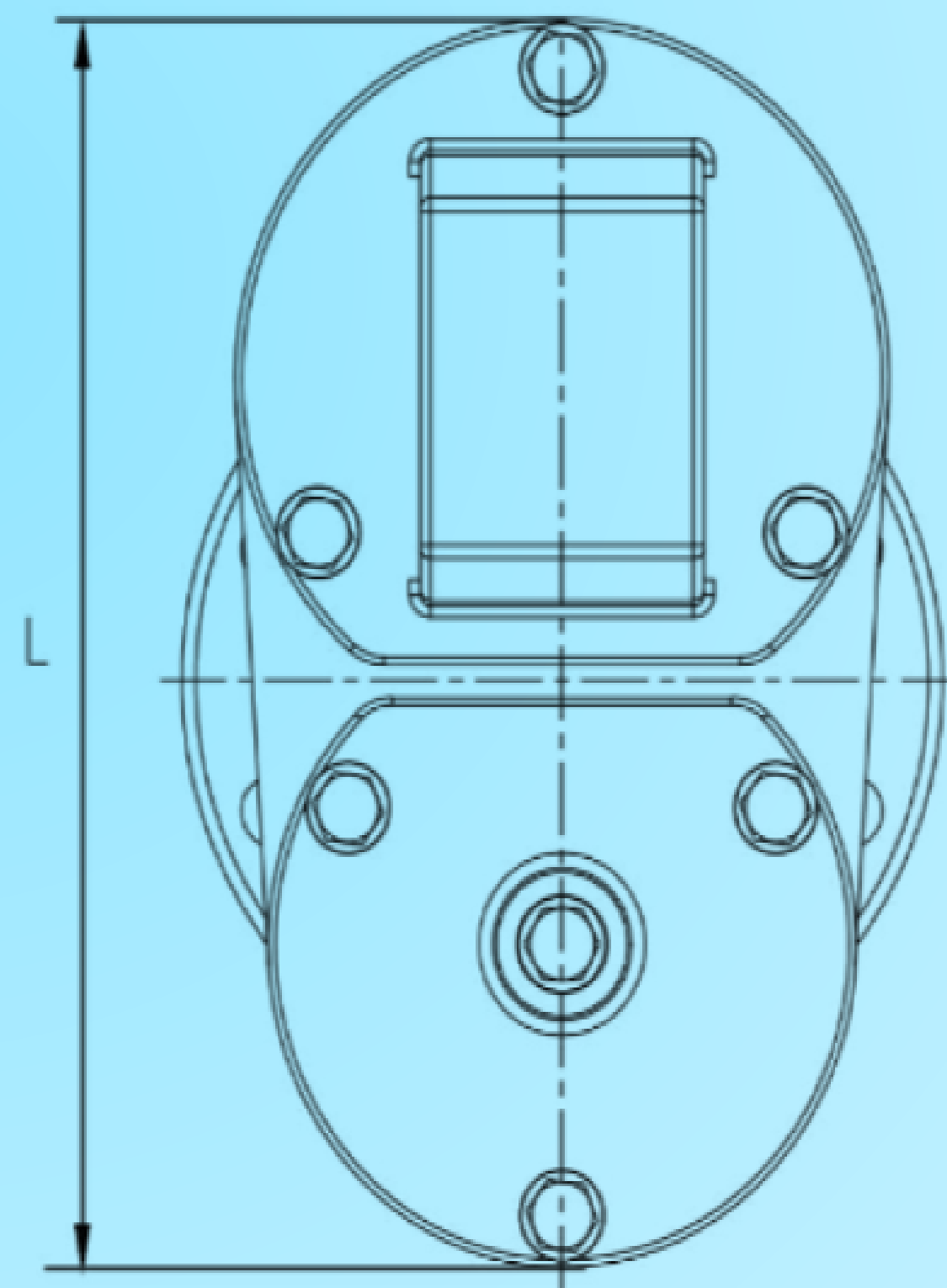
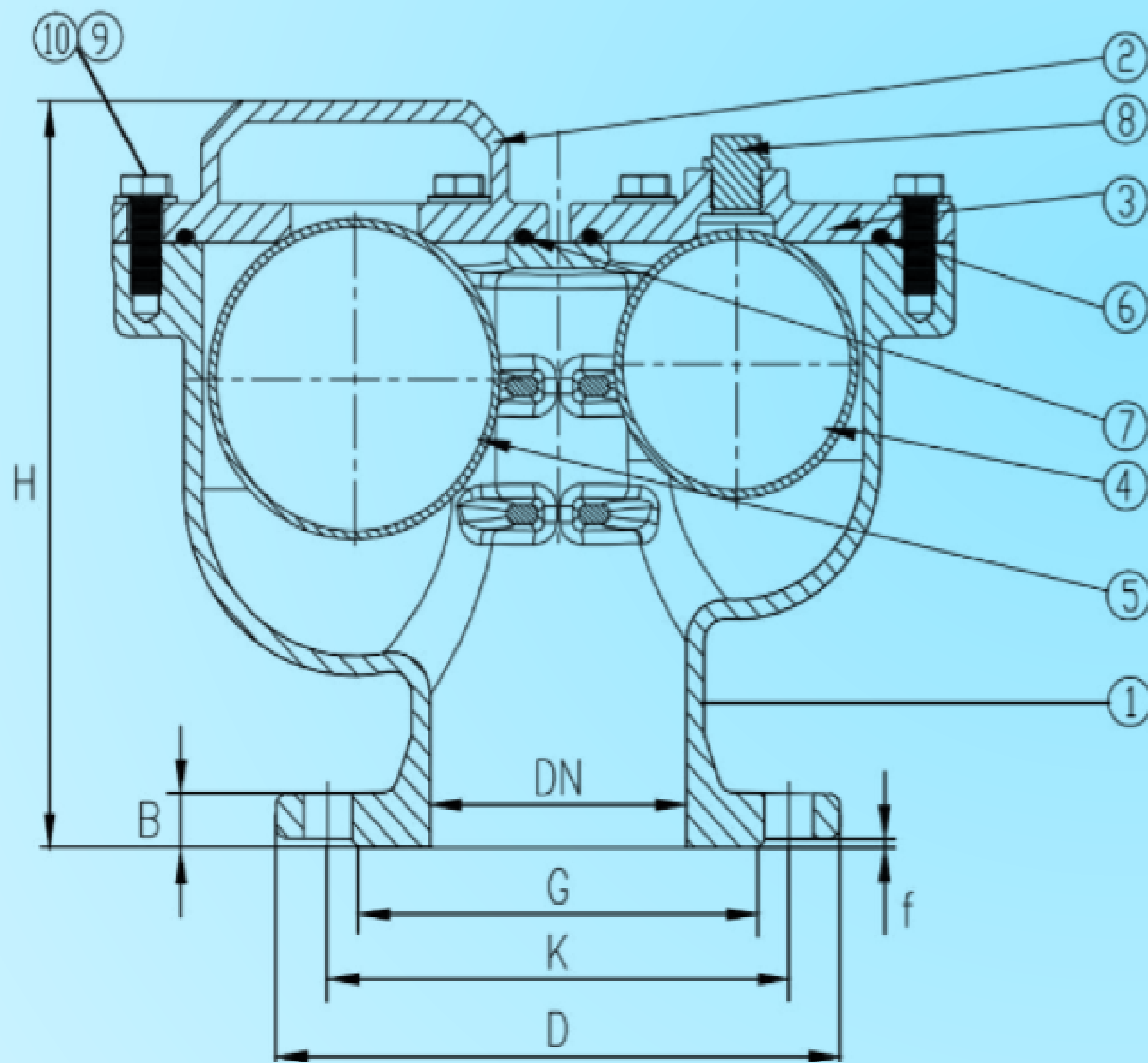
AIR RELEASE VALVE DOUBLE ORIFICE- LIGHT TYPE

Standards

- ✓ Hydrostatic tests according to EN-12266-1, class A.
- ✓ Designed to EN-1074/4 and AWWA C-512
- ✓ Flanges to EN-1092/2, BS4504, or ANSI-150

Applications

☒ to discharge a large air flow from a water pipeline
 ☒ to admit a large air flow into a water pipeline
 ☒ purge entrapped air from pipeline under pressure



Nominal Diameter	PN 10 /16								
	DN	L	H	n*d	K	D	G	f	B
*DN40	241	200	4*19	110	165	99	3	19	
DN50	241	200	4*19	125	165	99	3	19	
DN65	241	200	4*19	145	185	118	3	19	
DN80	306	250	8*19	160	200	132	3	19	
DN100	329	265	8*19	180	220	156	3	19	
*DN125	394	320	8*19	210	285	211	3	19	
DN150		320	8*23	240	285	211	3	19	

No.	Component	Standard Material
10	Washer	AISI304 STAINLESS STEEL
9	Bolt	AISI304 STAINLESS STEEL
8	Exhaust Nut	AISI304 STAINLESS STEEL
7	O Ring	NBR
6	O Ring	NBR
5	Floating Ball	NBR/EPDM+WOOD
4	Floating Ball	NBR/EPDM+WOOD
3	Exhaust Cover	Ductile Iron GJS500-7
2	Bonnet	Ductile Iron GJS500-7
1	Body	Ductile Iron GJS500-7

*DN40 drilled based on DN50 flange

*DN125 drilled based on DN150 flange



Thank You

 More Information
www.johntekvalve.com

 Our Email Address
info@johnlekvalve.com