

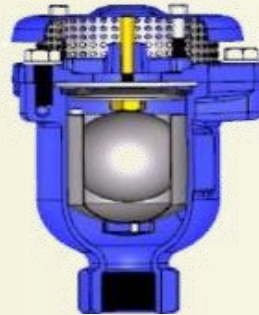
AIR RELEASE VALVE NONSLAM ANTI-SHOCK

Standards

- ✓ Hydrostatic tests according to EN-12266-1, class A.
- ✓ Designed to EN-1074/4 and AWWA C-512
- ✓ Flanges to EN-1092/2, BS4504, or ANSI-150

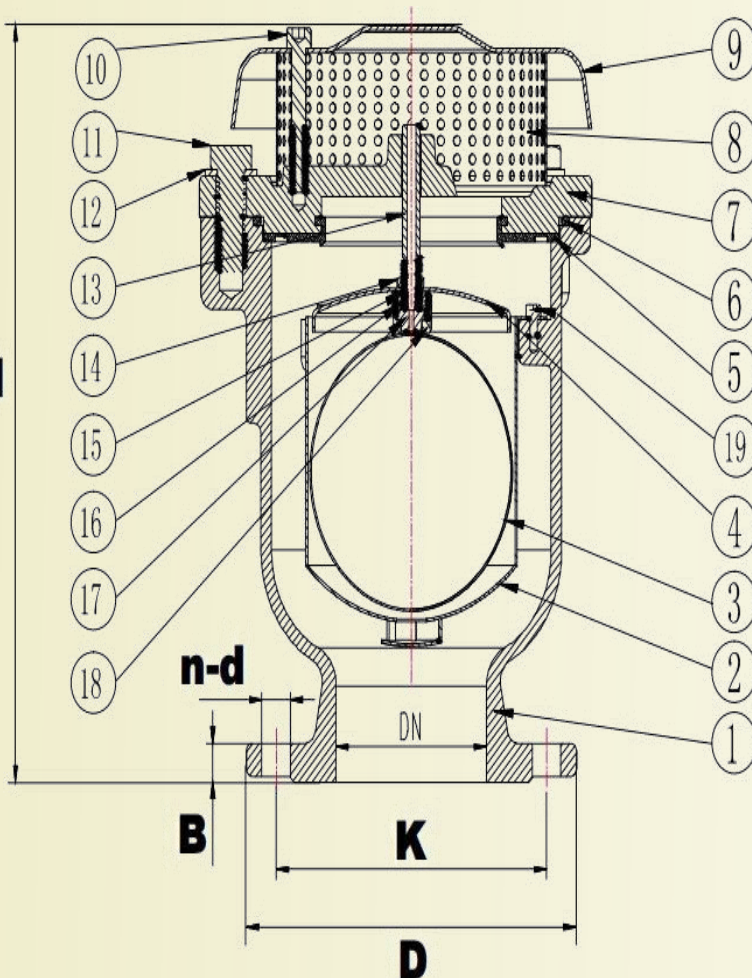
Applications

- ✓ to discharge a large air flow from a water pipeline
- ✓ to admit a large air flow into a water pipeline
- ✓ purge entrapped air from pipeline under pressure



**DN50/2" size
BSP threaded**

| No. | Component | Standard Material |
|-----|------------------|--------------------------|
| 19 | Screw | AISI304 STAINLESS STEEL |
| 18 | Sealing sleeve | CuZn39Pb1 Brass |
| 17 | Sealing plug | SI |
| 16 | Lock nut | CuZn39Pb1 Brass |
| 15 | O Ring | NBR |
| 14 | Nut | AISI304 STAINLESS STEEL |
| 13 | Guide rod | CuZn39Pb1 Brass |
| 12 | Flat washer | AISI304 STAINLESS STEEL |
| 11 | Bolt | AISI304 STAINLESS STEEL |
| 10 | Screw | AISI304 STAINLESS STEEL |
| 9 | Dust cover | AISI A36 STAINLESS STEEL |
| 8 | Dustproof screen | AISI304 STAINLESS STEEL |
| 7 | Bonnet | Ductile Iron GJS500-7 |
| 6 | O Ring | NBR |
| 5 | Seal ring | NBR |
| 4 | Disc | AISI304 STAINLESS STEEL |
| 3 | Floating ball | AISI304 STAINLESS STEEL |
| 2 | Bushing | AISI304 STAINLESS STEEL |
| 1 | Body | Ductile Iron GJS500-7 |



Dimensions

| Nominal Diameter | PN10 | | | | |
|------------------|------|-----|-----|-------|------|
| DN | H | D | K | n*d | B |
| DN50 | 305 | 165 | 125 | 4*19 | 19 |
| DN65 | 305 | 185 | 145 | 4*19 | 19 |
| DN80 | 330 | 200 | 160 | 8*19 | 19 |
| DN100 | 370 | 220 | 180 | 8*19 | 19 |
| DN150 | 450 | 285 | 240 | 8*23 | 19 |
| DN200 | 500 | 340 | 295 | 8*23 | 20 |
| DN250 | 685 | 395 | 350 | 12*23 | 22 |
| DN300 | 780 | 445 | 400 | 12*23 | 24.5 |

*DN40 drilled based on DN50 flange

*DN125 drilled based on DN150 flange

| Nominal Diameter | PN16 | | | | |
|------------------|------|-----|-----|-------|------|
| DN | H | D | K | n*d | B |
| DN50 | 305 | 165 | 125 | 4*19 | 19 |
| DN65 | 305 | 185 | 145 | 4*19 | 19 |
| DN80 | 330 | 200 | 160 | 8*19 | 19 |
| DN100 | 370 | 220 | 180 | 8*19 | 19 |
| DN150 | 450 | 285 | 240 | 8*23 | 19 |
| DN200 | 500 | 340 | 295 | 12*23 | 20 |
| DN250 | 685 | 405 | 355 | 12*28 | 22 |
| DN300 | 780 | 460 | 410 | 12*28 | 24.5 |

*DN40 drilled based on DN50 flange

*DN125 drilled based on DN150 flange

| Nominal Diameter | PN25 | | | | |
|------------------|------|-----|-----|-------|------|
| DN | H | D | K | n*d | B |
| DN50 | 305 | 165 | 125 | 4*19 | 19 |
| DN65 | 305 | 185 | 145 | 8*19 | 19 |
| DN80 | 330 | 200 | 160 | 8*19 | 19 |
| DN100 | 370 | 235 | 190 | 8*23 | 19 |
| DN150 | 450 | 300 | 250 | 8*28 | 20 |
| DN200 | 500 | 360 | 310 | 12*28 | 22 |
| DN250 | 685 | 425 | 370 | 12*31 | 24.5 |
| DN300 | 780 | 485 | 430 | 16*31 | 27.5 |

*DN40 drilled based on DN50 flange

*DN125 drilled based on DN150 flange