

Removable element Woltman cold (hot) water meter

This type of water meter can be used for a remote reading transmission system as equipped with a built-in sensor.

Application

Measuring the volume of cold (hot) water passing through the pipeline.

Features

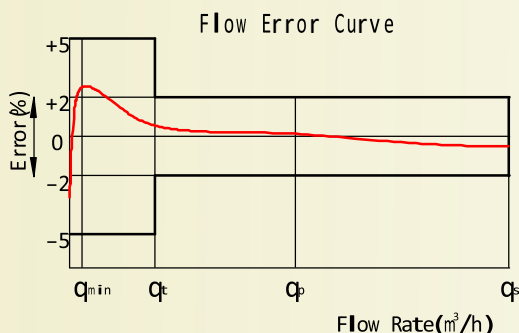
- ✓ Removable element structure, easy installation and maintenance, register for universal use within this range detachable without removing the meter from the pipeline.
- ✓ Dry-dial, Magnetic drive sensitive action, small pressure loss.
- ✓ Vacuum sealed register ensures the dial keep free from fog and keep the reading clear in a long-term service.
- ✓ Selected high quality materials for steady & reliable characteristic.
- ✓ Technical data conform to international standard ISO 4064.

Working conditions

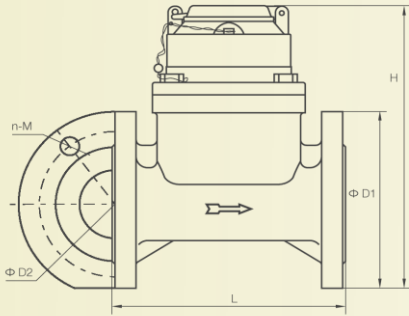
- ✓ Water temperature:
0.1°C ~ 50°C for cold water.
0.1°C ~ 90°C for hot water.
- ✓ Water pressure: ≤ 1.0Mpa or 1.6 Mpa.
- ✓ Pressure -loss class: Δp25.

Maximum permissible errors

- ✓ From minimum flow-rate (Q1) inclusive to transitional flow-rate (Q2) exclusive ±5%.
- ✓ From transitional flow-rate (Q2) to (Q4) overload flow-rate: ±2% (Hot water meter±3%).



Dimensions & Flow Technical Specification

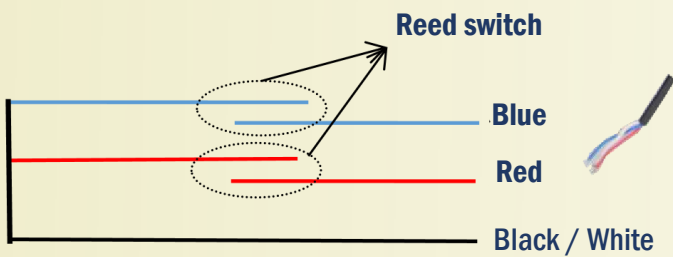


Type	Size	L Length	H Height	Connecting flange			
				ΦD1 Outside diameter	ΦD2 Bolt circle diameter	Connecting Bolts(n-M)	Working pressure (MPa)
LXLC-350	350	500	590	505	460	16-M20	1
				520	470	16-M24	1.6
LXLC-400	400	600	660	565	515	16-M24	1
				580	525	16-M27	1.6
LXLC-450	450	600	700	615	565	20-M24	1
				640	585	20-M27	1.6
LXLC-500	500	800	760	670	620	20-M24	1
				715	650	20-M30	1.6
LXLC-600	600	500	880	780	725	20-M27	1
				840	770	20-M33	1.6

Size	Class	R= Q3/Q1	Q4	Q3	Q2	Q1	Min. Reading	Max. Reading
DN			Overload Flow	Permanent Flow	Transitional Flow	Mi. Flow		
350	B	50	1750	1400	44.8	28	0.2	999,999,999
		80						
400	B	50	2000	1600	51.2	32	0.2	999,999,999
		80						
450	B	50	2000	1600	51.2	32	0.2	999,999,999
		80						
500	B	50	3125	2500	80	50	0.2	999,999,999
		80						
600	B	50	5000	4000	128	80	0.2	999,999,999
		80						

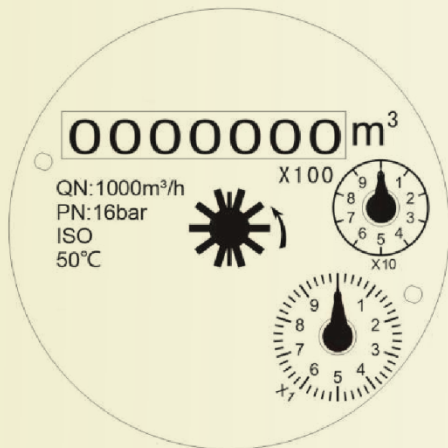
Pulse Position

Size	Pulse Position
DN350-600	10000L/Pulse
DN350-600	100000L/Pulse



Dials

Common Plastic Register



Installation

Pipe	Horizontal	
Meter head	Upwards	

All meters will be guaranteed against defects in workmanship and materials for a period of one (1) year from the date of acceptance.

Defected meters or parts discovered within this period shall be replaced without charge upon return to us.

Exploded View

