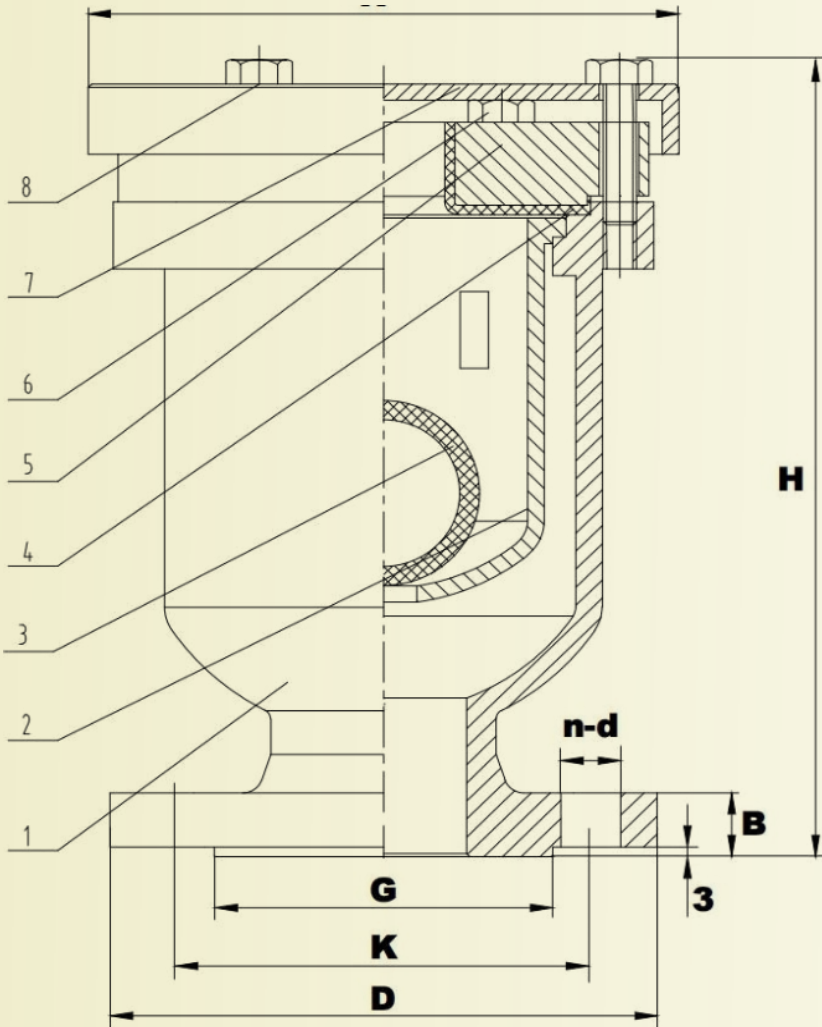


**AIR RELEASE VALVE
SINGLE ORIFICE- TWO FUNCTION**



Standards

- ✓ Hydrostatic tests according to EN-12266-1, class A.
- ✓ Designed to EN-1074/4 and AWWA C-512
- ✓ Flanges to EN-1092/2, BS4504, or ANSI-150

Applications

- ✓ to discharge a large air flow from a water pipeline
- ✓ to admit a large air flow into a water pipeline

Service Fields

- ✓ for water and neutral liquid
- ✓ main transmission pipelines
- ✓ irrigation system
- ✓ fire fighting

Nominal Diameter	PN 10 /16						
DN	W	H	n*d	K	D	G	B
DN40	166	224	4*19	110	165	99	19
DN50	178	236	4*19	125	165	99	19
DN65	199	244	4*19	145	185	118	19
DN80	202	248	8*19	160	200	132	19
DN100	233	284	8*19	180	220	156	19
*DN125	282	324	8*19	210	285	211	19
DN150	282	324	8*23	240	285	211	19

no.	Component	Standard Material
8	Bolt	CARBON STEEL
7	Outside Cover	Ductile Iron GJS500-7
6	Bolt	CARBON STEEL
5	Inside Cover	Ductile Iron GJS500-7
4	Gasket	NBR
3	Ball Float	ABS
2	Bucket	Ductile Iron GJS500-7
1	Body	Ductile Iron GJS500-7

*DN125 drilled based on DN150 flange