

Lift Check Valve with SS screen

Foot Valves are specifically designed to be installed on the suction side of a pump. The purpose of a foot valve is to maintain pump prime between pumping cycles. Design of the Foot Valve evolved through a need for a valve that could provide positive sealing action at various pressure ranges without seal damage along with silent operation. The Foot Valve satisfies these requirements plus low head loss thru its full ported area and heavy duty stainless steel basket screening. The unique seating design provides initial contact with the valve disc and the ring, providing a drop-tight seal. As the pressure increases, the ring is compressed slightly and the disc makes contact with the metal portion of the valve seat, preventing any further compression of the ring. The ring will continue to provide the "drop-tight seating" during the higher pressure ranges without damage from the increased pressure loading.



MAIN FEATURES

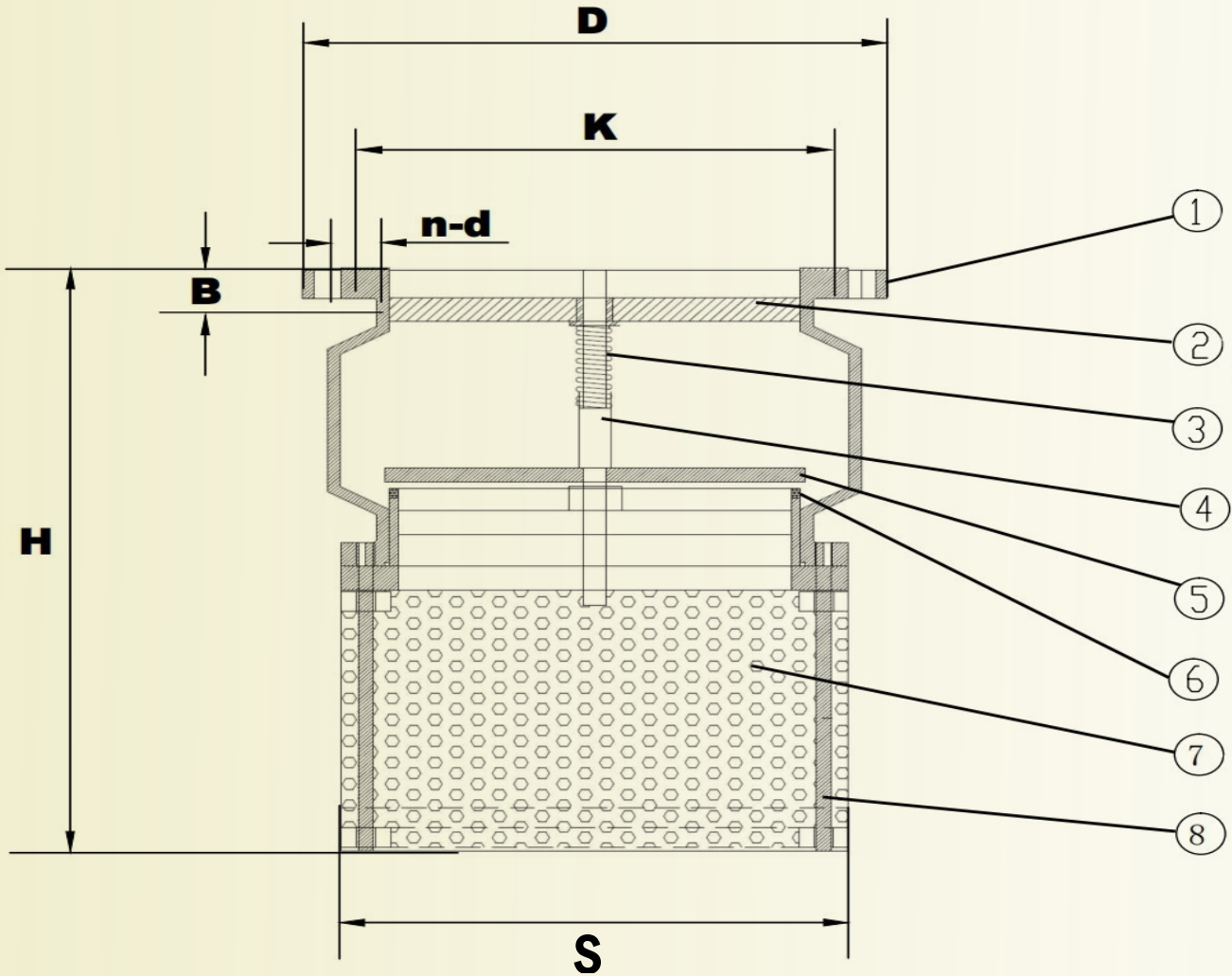
- ✓ Full flow area - Unrestricted flow through the valve that is equal to or greater than the pipe size.
- ✓ designed to minimize headloss and optimize pumping efficiency.
flow areas 3 to 4 times larger than the nominal size of the valve to ensure pump efficiency and minimize headloss.
- ✓ fully guided disc: eliminating turbulence and vibrations and ensuring long service life.
- ✓ dynamic driptight sealing arrangement.
- ✓ 100% testing before packing and delivery.
- ✓ Completely free and full bore self-cleaning & low-pressure loss.
- ✓ Low inlet resistance due to streamlined configuration.
- ✓ Epoxy coating: WRAS approved for drinking water.

Standards

- ✓ Hydraulic tests according to EN-12266-1
- ✓ Flanges to EN-1092-2, BS4504

Service Fields

- ✓ Pumping stations.
- ✓ networks for clean water distribution.
- ✓ irrigation and water treatment.

Part List
DN350-1000


No.	Component	Standard Material
1	Body	Ductile Iron GJS500-7
2	Seat	Ductile Iron GJS500-7
3	Spring	SS AISI304
4	Stem	SS AISI 304/316/420
5	Disc	Carbon steel
6	Sealing Ring	NBR / EPDM
7	Screen	SS AISI304
8	Shaft Bracket	Carbon steel

Main Outline Dimensions DN350-1000

Nominal Diameter	PN10					
	DN	ϕD	ϕK	B	H	S
DN350	505	460	25	650	505	16*23
DN400	565	515	25	720	565	16*28
DN450	615	565	26	850	615	20*28
DN500	670	620	27	870	670	20*22
DN600	780	725	30	1000	780	20*31
DN700	895	840	33	1050	895	24*31
DN800	1015	950	35	1100	1015	24*34
DN900	1115	1050	38	1200	1115	28*34
DN1000	1230	1160	40	1300	1230	28*37

Nominal Diameter	PN16					
	DN	ϕD	ϕK	B	H	S
DN350	505	460	25	650	505	16*28
DN400	565	515	25	720	565	16*31
DN450	615	565	26	850	615	20*31
DN500	670	620	27	870	670	20*334
DN600	780	725	30	1000	780	20*37
DN700	895	840	33	1050	895	24*37
DN800	1015	950	35	1100	1015	24*41
DN900	1115	1050	38	1200	1115	28*41
DN1000	1230	1160	40	1300	1230	28*44