

TITLING CHECK VALVE EN558-1 SERIES 14 / DIN3202-F4



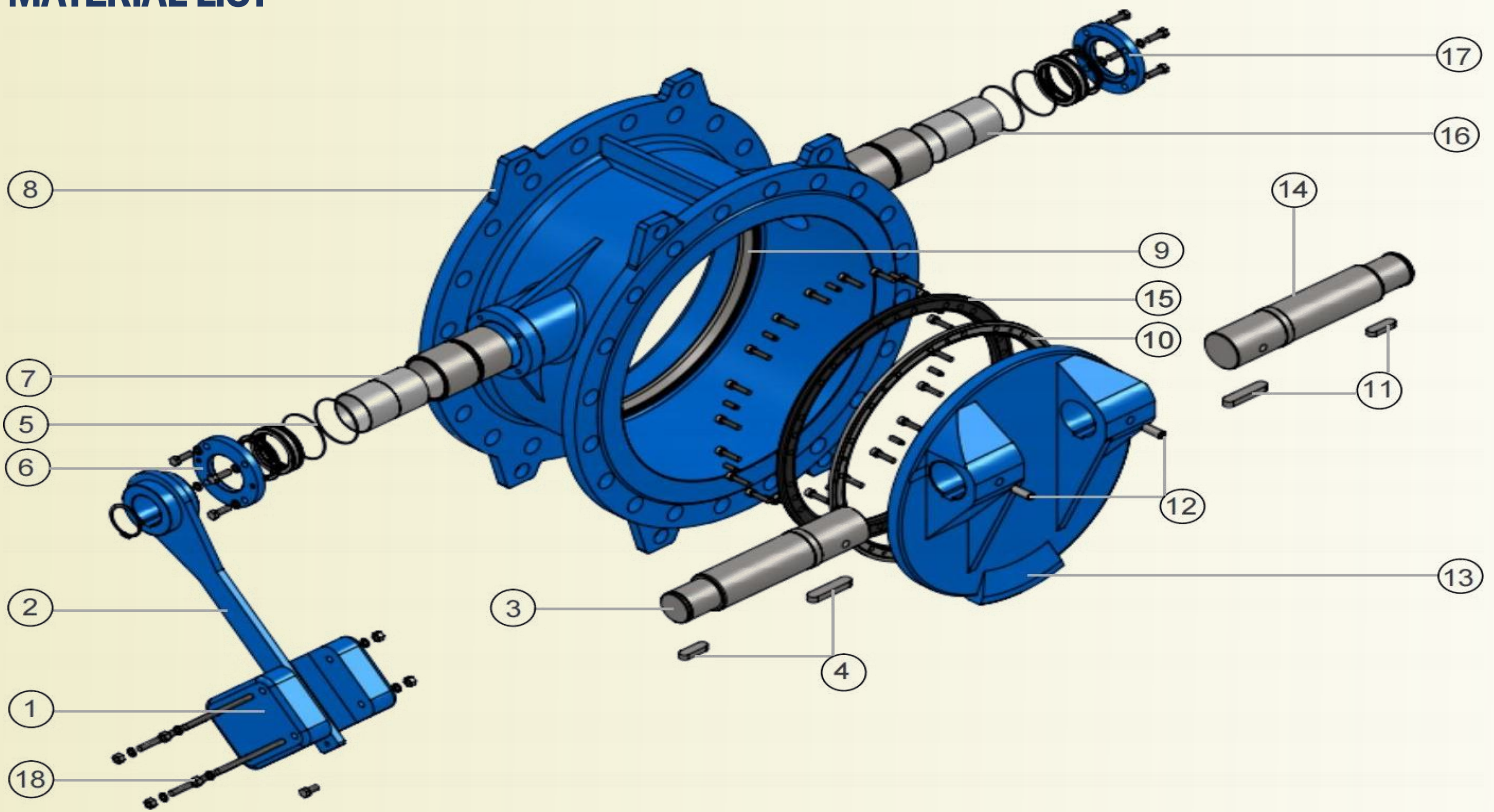
- ✓ 100% sealing - self-adjusting elastomer seat attached to disc and retaining ring.
- ✓ bi-directional flow sealing with 1.1 x PN.
- ✓ SS retaining ring fastened with A2-70 screws and extra dowel pins.
- ✓ reduced sensitivity for cavitation.
- ✓ less contact area of disc seal when closing, and less stress during the opening disc.
- ✓ Complete tightness - self-adjusting elastomer seat attached to the disc and the retaining ring.
- ✓ Easy maintenance and handling.

Standards

- ✓ 100% tested to EN 12266-1
- ✓ Confirm to EN12334 resilient seated
- ✓ Flanges to EN-1092/2, BS4504
- ✓ EPDM disc seat ring to EN 681-1
- ✓ Face to face: EN558-1, series 14

Applications

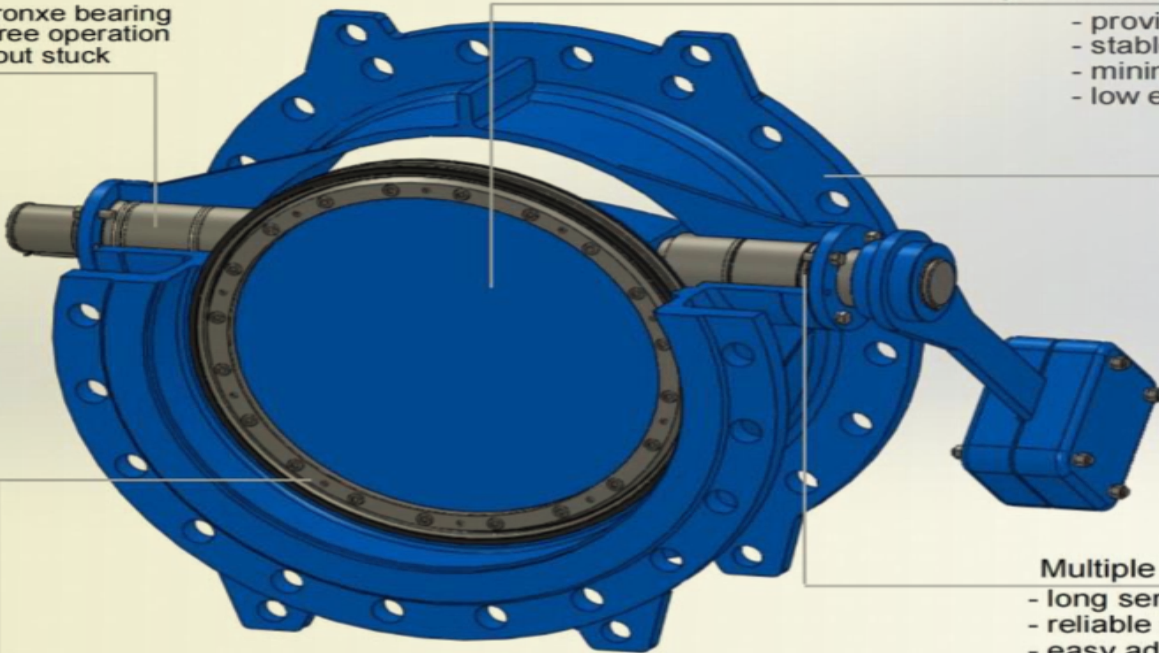
- ✓ water and neutral liquid pipe system
- ✓ water distribution/transmission system
- ✓ cooling water system.
- ✓ industrial waste water
- ✓ filtering system

MATERIAL LIST


No.	Component	Standard Material	No.	Component	Standard Material
1	Counterweight	GG25	11	Flat Key	SS 304/316/420
2	lever	WCB welded	12	Pin	SS 304/316/420
3	Shaft	SS 304/316/420	13	Disc	Ductile Iron GJS500-7
4	Flat Key	SS 304/316/420	14	Shaft	SS 304/316/420
5	O Ring	EPDM	15	Retainer ring	SS304
6	Gland cover	SS304	16	Bearing	Al-Bronze
7	Bearing	Al-Bronze	17	Gland cover	SS304
8	Body	Ductile Iron GJS500-7	18	Bolt	A2-70
9	Body seal ring	SS304			
10	Disc seal ring	EPDM			

DESIGN FEATURES

Al-bronze bearing
get free operation
without stuck



Large eccentric disc design
provides large opening degree

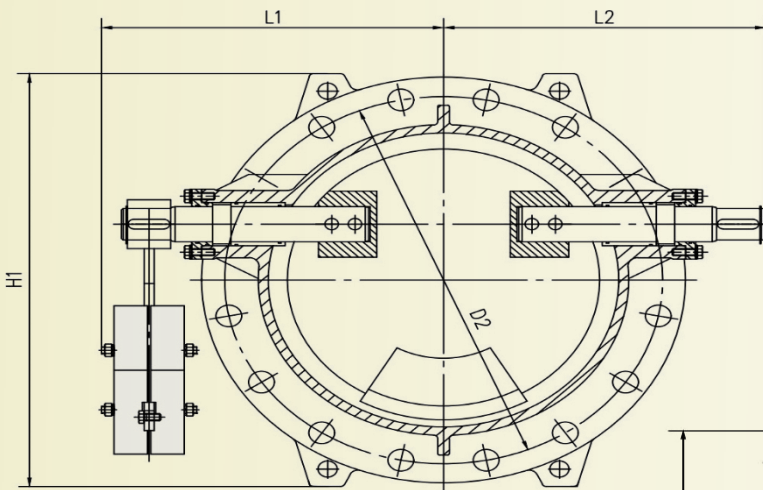
- provide larger flow area
- stable flow state
- minimized head loss
- low energy consumption

flange to EN1092-2
face to face length:
ISO5752 serie 14

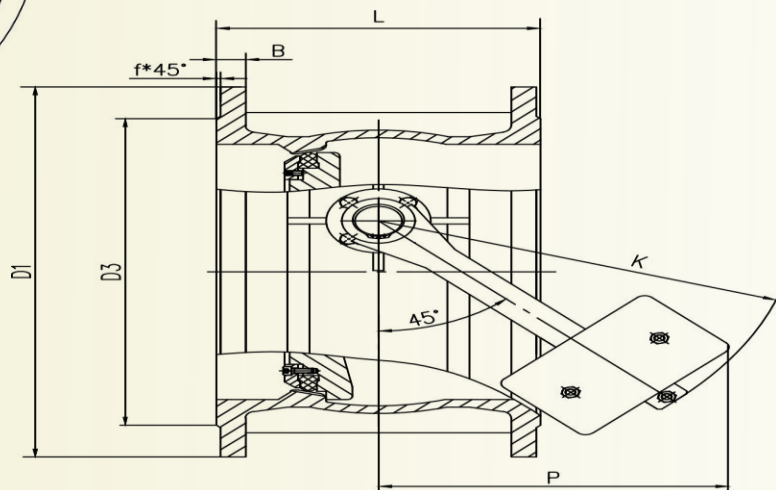
Multiple shaft O-Rings

- long service life
- reliable sealing performance
- easy adjusted or replaced

T profiled disc seal ring
fixed by retainer ensures reliable sealing function
for both directions which is also easy to be adjusted
or replaced without special tools



DIMENSIONS



Technical requirements

- ✓ Design to BS EN12334
- ✓ Flange connection to EN1092-2
- ✓ Face to face length to ISO5752 series 14
- ✓ Pressure test to EN12266

DIMIENSIONS

Nominal Diameter	PN 10											
	DN	D1	D2	D3	B	f	L	n*d	H1	L1	L2	P
200	340	295	266	20	3	230	8*23	350	235	230	180	200
250	405	350	319	22	3	250	12*23	415	280	270	210	250
300	460	400	370	24.5	4	270	12*23	470	320	310	250	300
350	520	460	429	26.5	4	290	16*23	530	370	350	300	350
400	565	515	480	24.5	4	310	16*28	575	410	385	340	400
450	616	565	530	25.5	4	330	20*28	625	455	425	370	450
500	670	620	582	26.5	4	350	20*28	680	500	475	420	500
600	780	725	682	30	5	390	20*31	790	550	520	490	600
700	895	840	794	32.5	5	430	24*31	905	620	485	560	700
800	1015	950	901	35	5	470	24*34	1025	690	665	650	800
900	1115	1050	1001	37.5	5	510	28*34	1125	770	735	720	900
1000	1230	1160	1112	40	5	550	28*37	1240	860	820	790	1000
1200	1455	1380	1328	45	5	630	32*41	1465	990	950	850	1200

Nominal Diameter	PN 16											
	DN	D1	D2	D3	B	f	L	n*d	H1	L1	L2	P
200	340	295	266	20	3	230	12*223	350	235	230	180	200
250	405	355	319	22	3	250	12*22	415	280	270	210	250
300	460	410	370	24.5	4	270	12*22	470	320	310	250	300
350	520	470	429	26.5	4	290	16*28	530	370	350	300	350
400	580	525	480	28	4	310	16*31	590	410	385	340	400
450	640	585	548	30	4	330	20*31	650	460	435	370	450
500	715	650	609	31.5	4	350	20*334	725	520	490	420	500
600	840	770	720	36	5	390	20*37	850	580	540	490	600
700	910	840	794	39.5	5	430	24*37	920	645	500	560	700
800	1025	950	901	43	5	470	24*41	1035	710	690	650	800
900	1125	1050	1001	46.5	5	510	28*41	1135	800	760	720	900
1000	1255	1170	1112	50	5	550	28*44	1265	890	840	790	1000
1200	1485	1390	1328	57	5	630	32*50	1500	1030	980	850	1200