

DOUBLE ECCENTRIC BUTTERFLY VALVE EN558-1 SERIES 13, 14

Double eccentric butterfly valve is a shut-off bidirectional valve with a double offset of the disc. The disc seal ring is completely unstressed when the valve is in open position.



- ✓ disc seat with high quality rubber, regains original shape.
- ✓ 100% sealing - self-adjusting elastomer seat attached to disc and retaining ring.
- ✓ bi-directional flow sealing with 1.1 x PN.
- ✓ SS retaining ring fastened with A2-70 screws and extra dowel pins.
- ✓ reduced sensitivity for cavitation.
- ✓ less contact area of disc seal when closing, and less stress during the opening disc.
- ✓ Complete tightness - self-adjusting elastomer seat attached to the disc and the retaining ring.

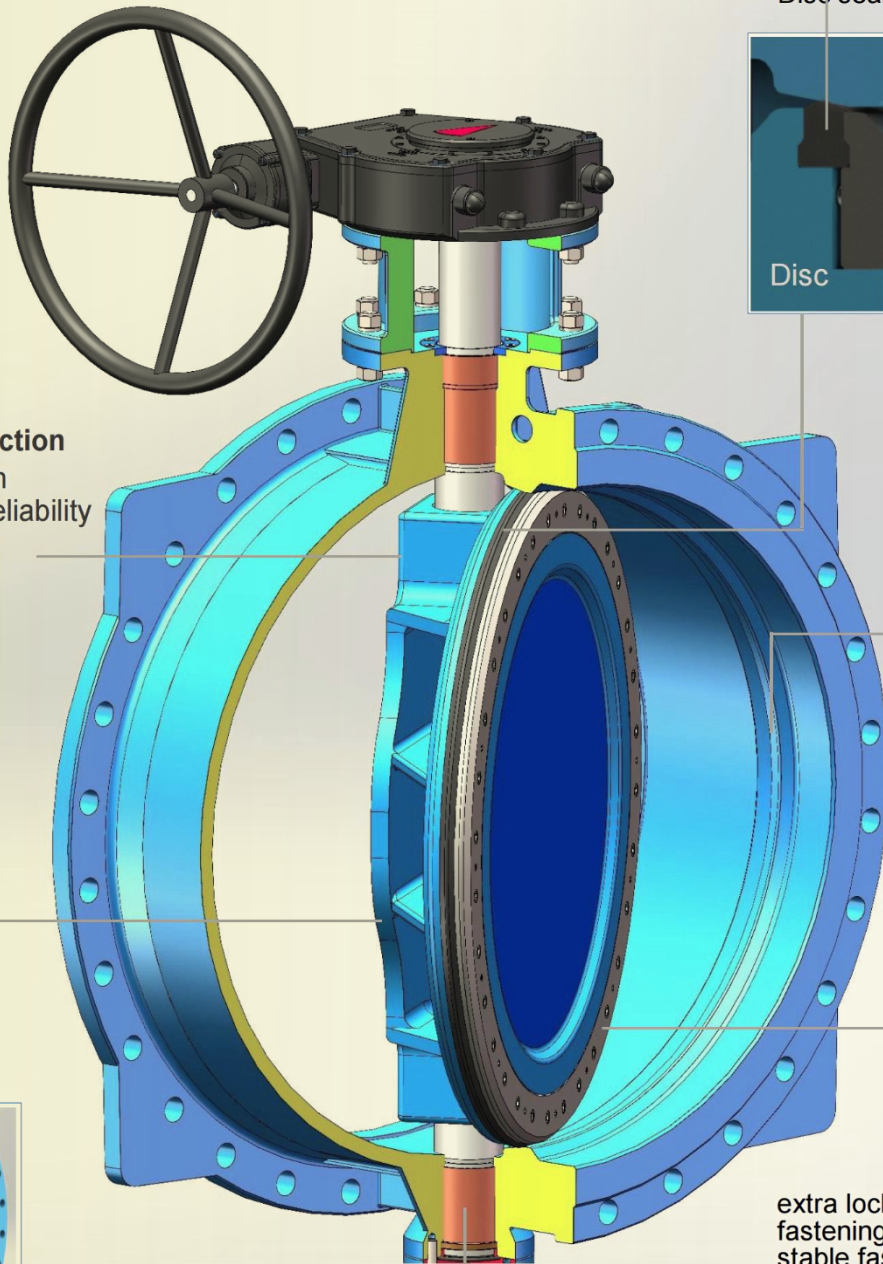
Standards

- ✓ 100% tested to EN 12266-1
- ✓ Confirm to EN593 resilient seated
- ✓ Flanges to EN-1092/2, BS4504
- ✓ EPDM disc seat ring to EN 681-1
- ✓ Face to face: EN558-1, series 13/14

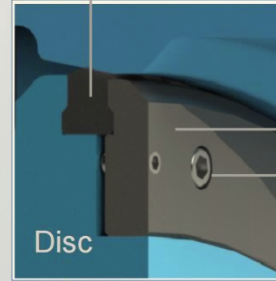
Applications

- ✓ water and neutral liquid pipe system
- ✓ water distribution/transmission system
- ✓ cooling water system.
- ✓ industrial waste water
- ✓ filtering system

DESIGN FEATURES



Disc sealing ring



Retaining Ring

Fastening screw

Disc

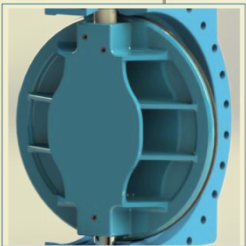
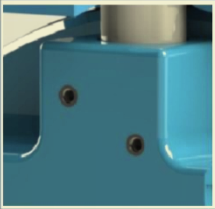


Body Seat
well welded
low friction
low operating torque

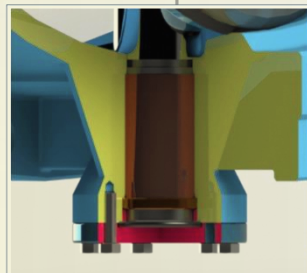


extra locking PINs between fastening screws make sure stable fastening of retaining ring, after long period working, sealing ring can be restored by fastening screws and locking PINs

- **Disc-Stem connection**
- high stem strength
- high connection reliability

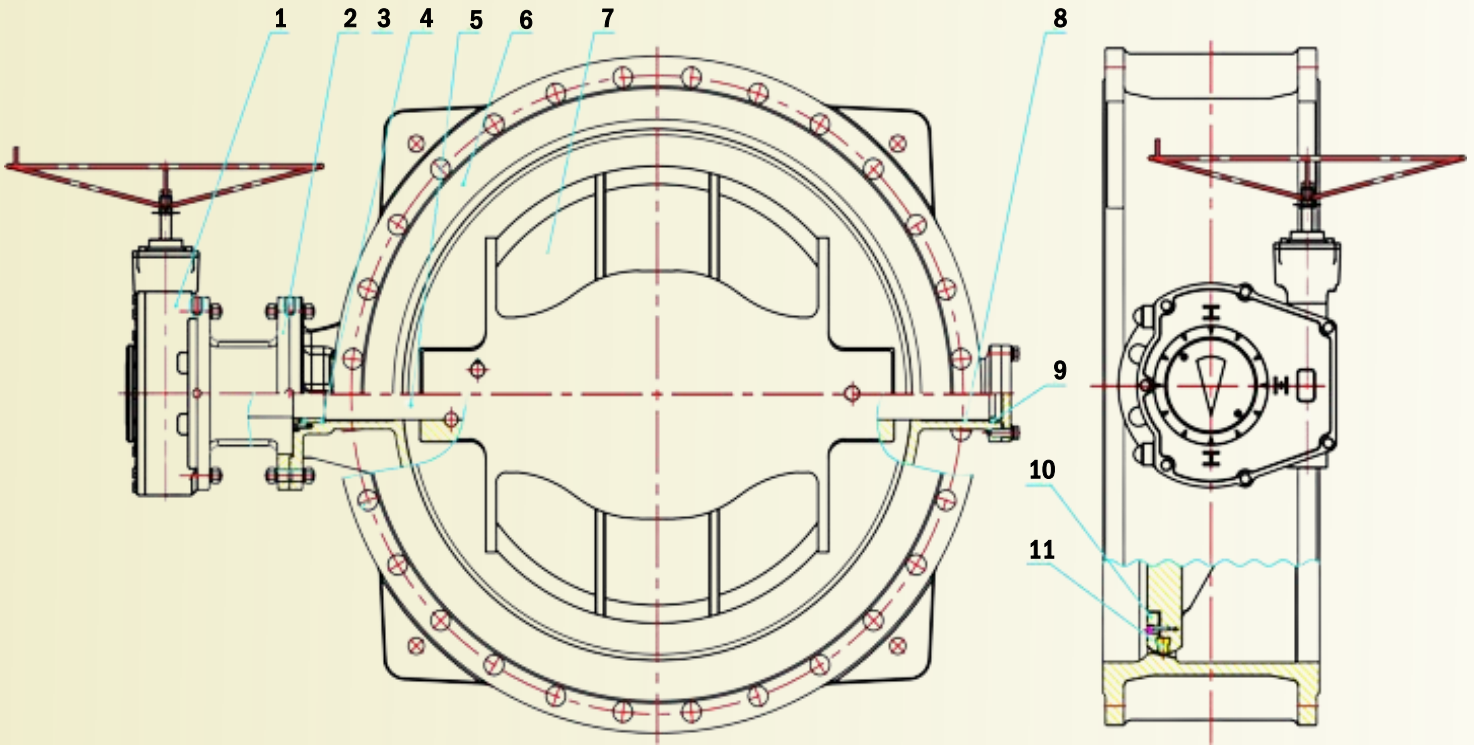


- **DISC: Arch shape (flow-efficient design)**
- provide larger flow area
- stable flow state
- minimized head loss
- low energy consumption



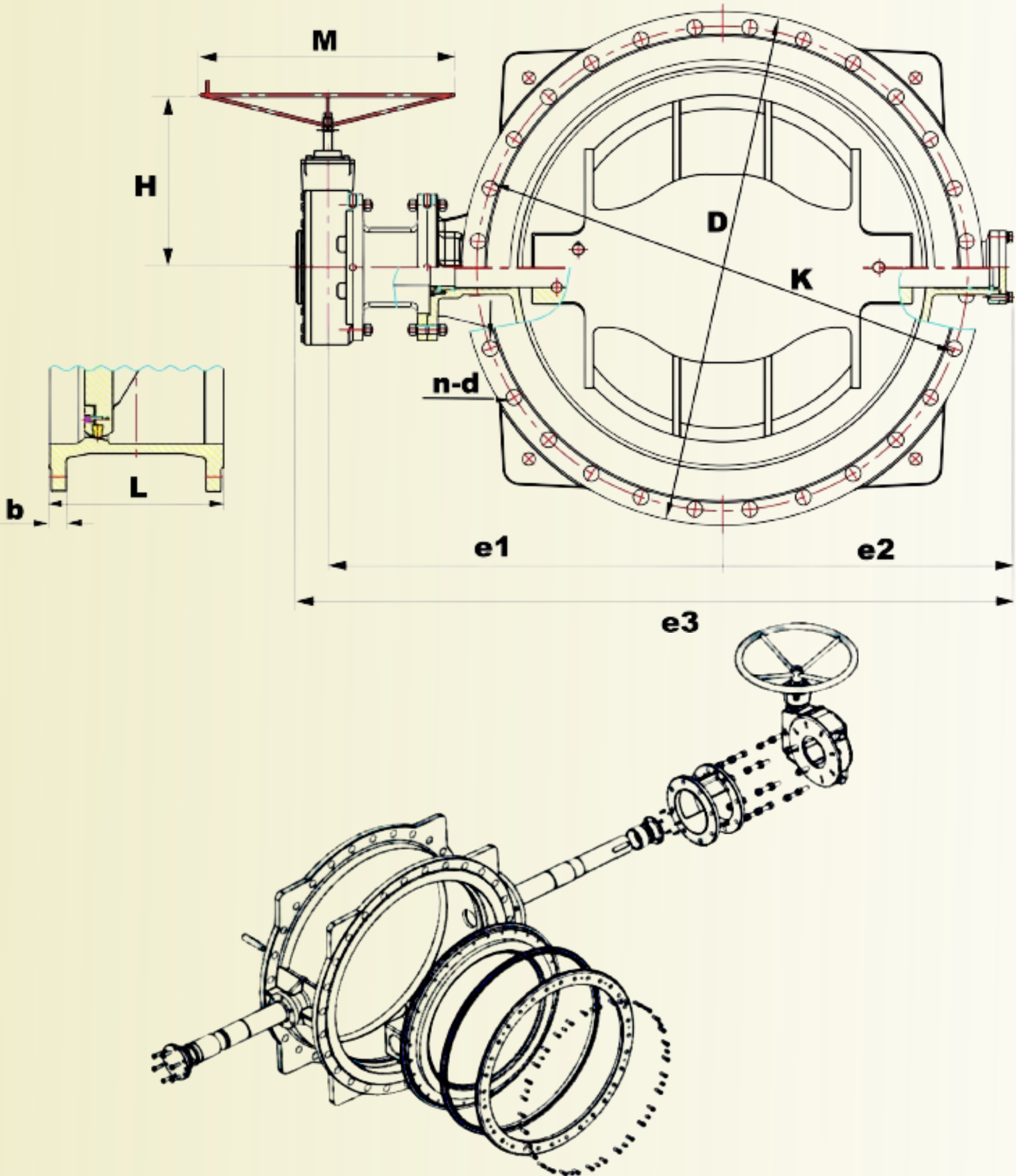
- **self-lubricating bearings**
- minimize static friction coefficient
- get low operating torque

Tail-opening ring is used as a plane bearing to bear the axial force of the stem. Valve can be mounted horizontally or vertically.

MATERIAL LIST


No.	Component	Standard Material
1	Manual gearbox	assembly set
2	Neck flange	ductile cast iron GJS 500-7
3	Sealing sleeve	CuZn39Pb1 Brass
4	X Ring	NBR
5	Stem	stainless steel AISI 304/316/420
6	Body	ductile cast iron GJS 500-7
7	Disc	ductile cast iron GJS 500-7
8	Bearing	stainless steel SF-I S
9	Split snap ring	ZCuZn25A16Fe6Mn6
10	Sealing ring plate	stainless steel
11	Disc seat ring	EPDM

DIMENSIONS



DIMENSIONS

Nominal Diameter	PN 10									
	DN	L	H	e1	e2	e3	M	D	K	b
DN200	230	225	314	174	524	300	340	295	20	8*23
DN250	250	275	354	200	603	400	405	350	22	12*23
DN300	270	275	388	258	695	500	445	400	24.5	12*23
DN350	290	305	446	292	790	500	505	460	24.5	16*23
DN400	310	304	522	331	910	600	565	515	24.5	16*28
DN450	330	305	535	365	953	600	615	565	25.5	20*22
DN500	350	305	566	405	1028	600	670	620	26.5	20*28
DN600	390	382	662	468	1195	500	780	725	30	20*31
DN700	430	382	627	520	1212	500	895	840	32.5	24*31
DN800	470	403	680	583	1338	600	1015	950	35	24*34
DN900	510	435	725	635	1435	600	1115	1050	37.5	28*34
DN1000	550	570	826	695	1620	600	1230	1160	40	28*37
DN1200	630	600	972	820	1910	700	1455	1380	45	32*40
DN1400	710	620	1140	928	2140	700	1675	1590	46	36*43
DN1600	790	665	1270	1050	2410	700	1915	1820	49	40*49
DN1800	870	720	1410	1175	2680	700	2130	2020	70	44*49

Nominal Diameter	PN 16									
	DN	L	H	e1	e2	e3	M	D	K	b
DN200	230	225	314	174	524	300	340	295	20	12*23
DN250	250	275	354	200	603	400	405	355	22	12*28
DN300	270	275	388	258	695	500	460	410	24.5	12*28
DN350	290	305	446	292	790	500	520	470	25.5	16*28
DN400	310	304	522	331	910	600	580	525	28	16*31
DN450	330	305	535	365	953	600	640	585	30	20*31
DN500	350	305	566	405	1028	600	715	650	31.5	20*34
DN600	390	382	662	468	1195	500	840	770	36	20*37
DN700	430	382	627	520	1212	500	910	840	39.5	24*37
DN800	470	403	680	583	1338	600	1025	950	43	24*40
DN900	510	435	725	635	1435	600	1125	1050	46.5	28*40
DN1000	550	570	826	695	1620	600	1255	1170	50	28*43
DN1200	630	600	972	820	1910	700	1485	1390	57	32*49
DN1400	710	620	1140	928	2140	700	1685	1590	60	36*49
DN1600	790	665	1270	1050	2410	700	1930	1820	65	40*56
DN1800	870	720	1410	1175	2680	700	2130	2020	70	44*56